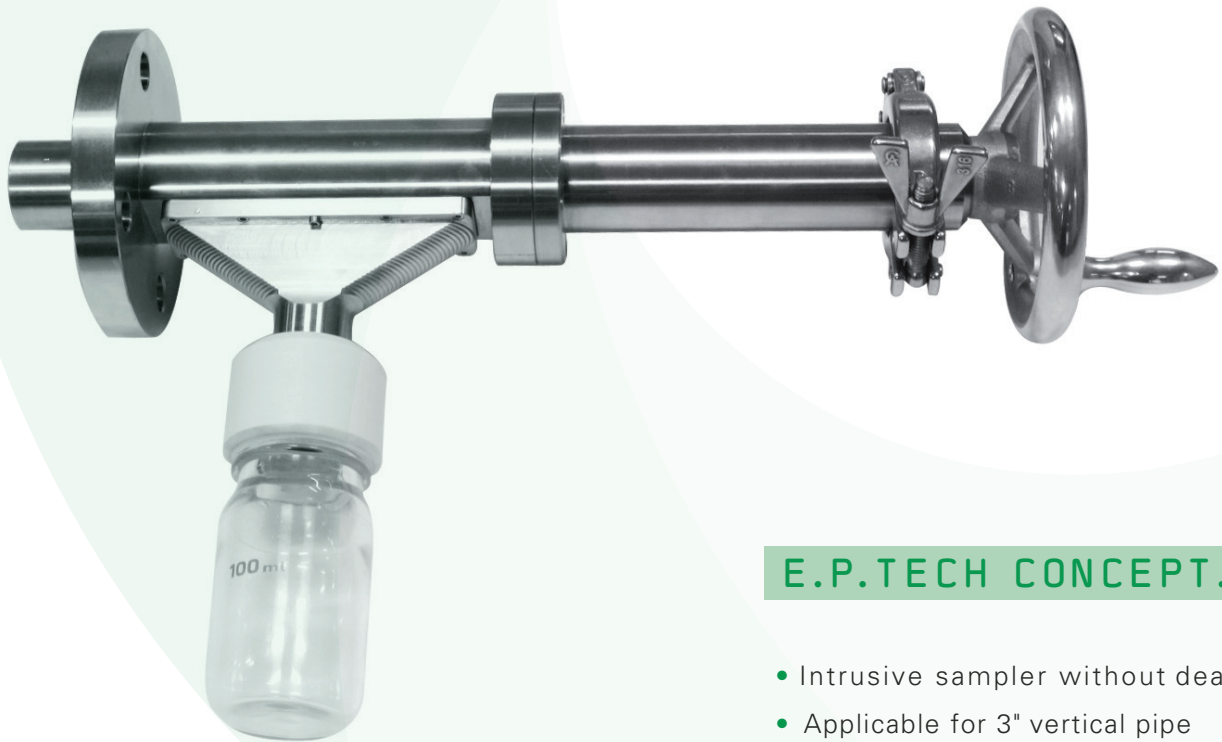


HORIZONTAL SAMPLING VALVE 130H

NEW PRODUCT FOR POWDER SAMPLING



FEATURES :

- DN25 / PN10
- -20°C TO 180°C
- ALL CONTACT PARTS ARE 1.4435 (316L), HASTELLOY C22, PTFE OR FFKM ELASTOMER
- TC OR ASME / DIN FLANGED CONNECTIONS
- FDA / ATEX APPROVED

OPTIONS :

- AUTOMATIC VERSION
- SPECIAL ALLOYS
- SIP & CIP

For any special sampling requirements, please contact us

Tel. +41 21 695 26 26 • Fax +41 21 695 26 27
info@famat.com • www.famat.com


E.P.TECH CONCEPT.

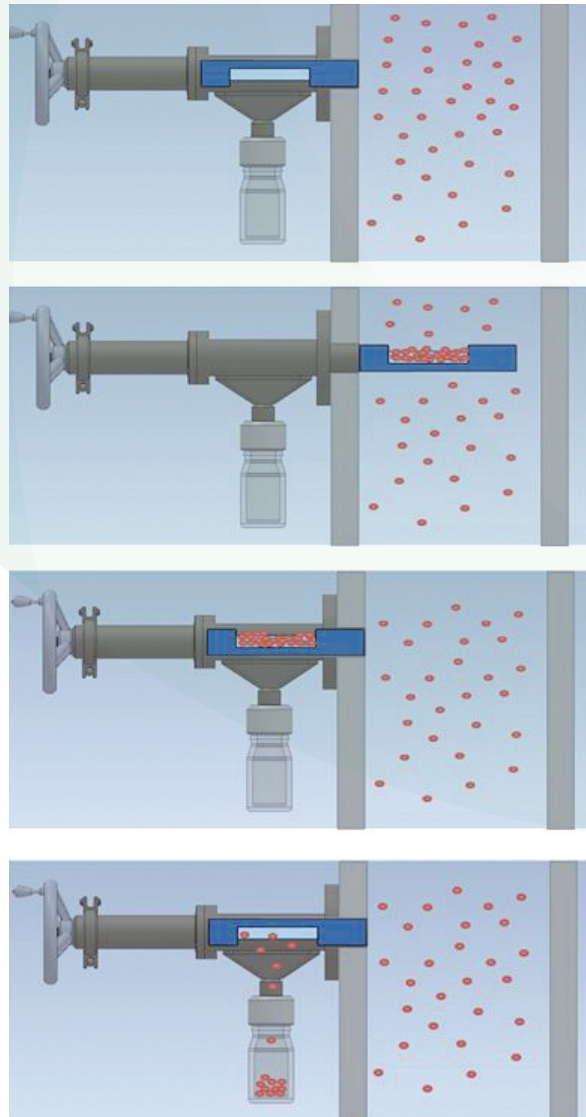
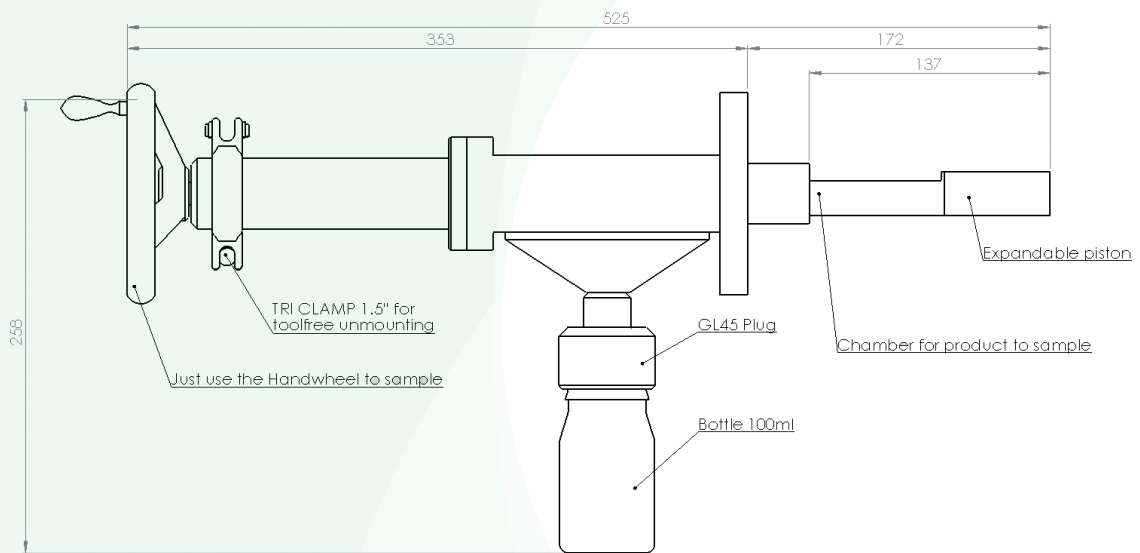
- Intrusive sampler without dead space
- Applicable for 3" vertical pipe (more on request)
- Adjustable piston length
- Piston tightness without gasket
- Easy clean tool free

BASED ON THE FAMAT
PATENTED EXPANDABLE
PISTON TECHNOLOGY.



FAMAT
ENGINEERED VALVES

 SWISS QUALITY
ISO 9001: 2008



FAMAT SA
 Ch. des Jordils 40
 1025 St-Sulpice
 Switzerland

Tel. +41 21 695 26 26
 Fax +41 21 695 26 27
www.famat.com
info@famat.com



FAMAT
 ENGINEERED VALVES