



PFA-lined stainless steel flanged ball valve series FGT

Using the material combination of Fluoropolymer / stainless steel highest demands of the pharmaceutical industry are met to manage aggressive and corrosive media in chemical applications as well as ultra-clean media.

The interface acc. DIN 3337 allows the safe and efficient automation due to the direct mounting of actuators.

Flanged ball valve series FGT



PFA-lined flanged ball valve PN10-PN40 / Class 150 with full bore

Due to the material combination of stainless steel (external) and PFA Fluoropolymer as media-touching lining very good chemical resistance is achieved all-round and external corrosive impacts are taken into account.

The interface acc. DIN 3337 allows an economic automation and the direct mounting of operating elements and actuators.

Technical Data:

Body, ball and stem:

PFA-lined

Actuator connection:

DIN 3337 – ISO 5211

Face-to-face dimension:

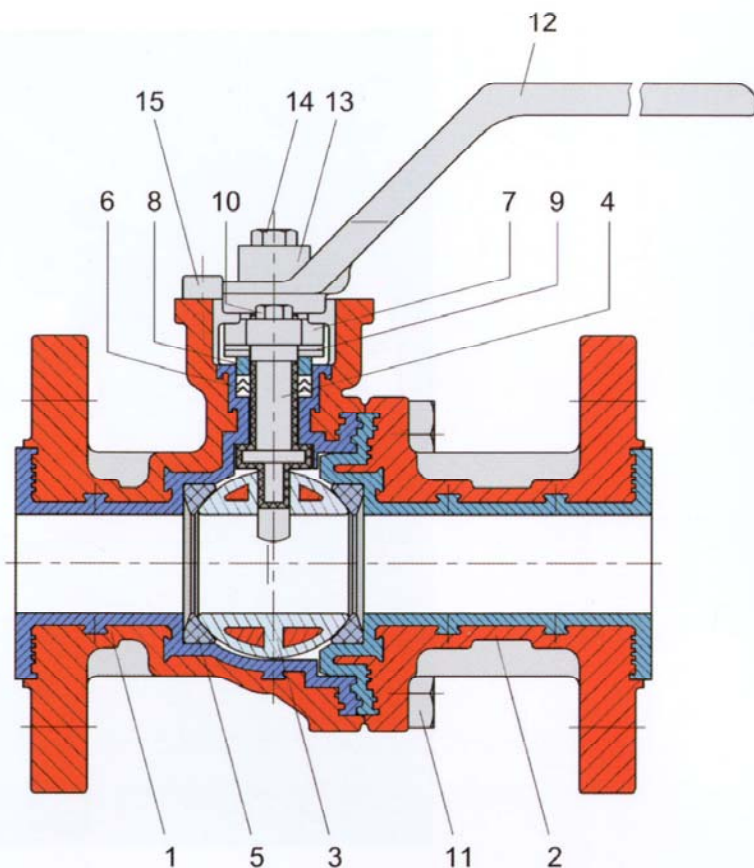
DIN EN 558-1 line 28

(DIN 3202-F1)

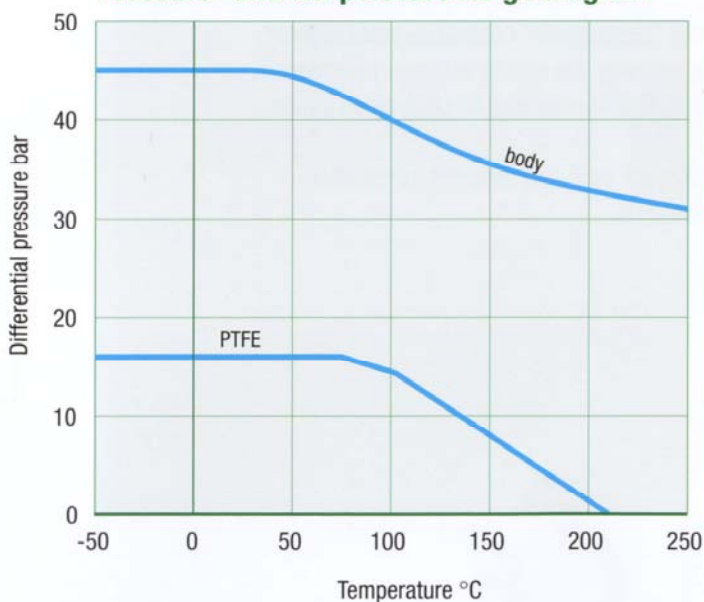
Flange connection:

DIN EN 1092-1, PN 10 - PN 40

ASME B 16.5 – Class 150



Pressure- and temperature range diagram

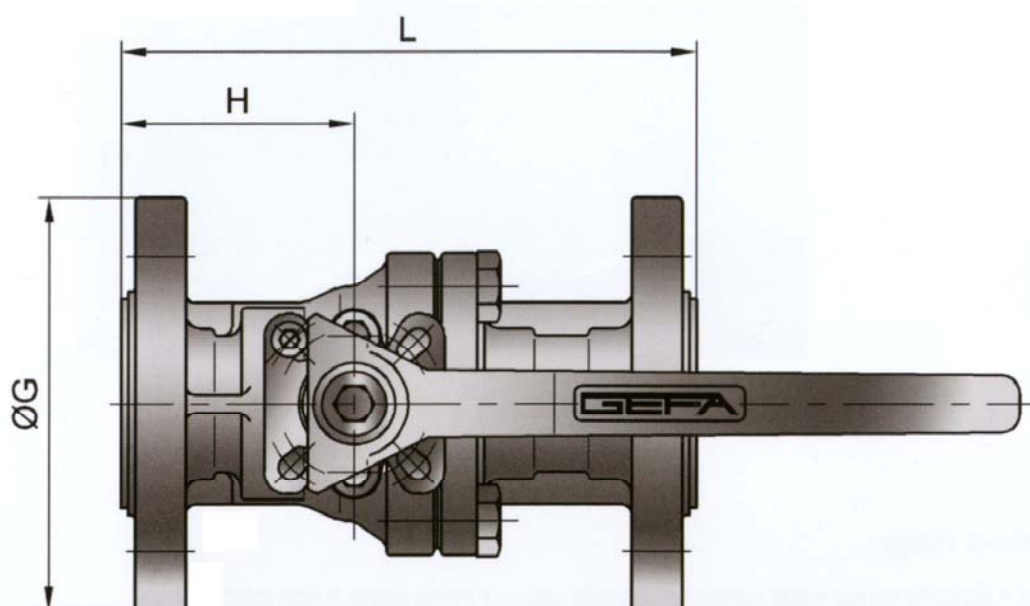
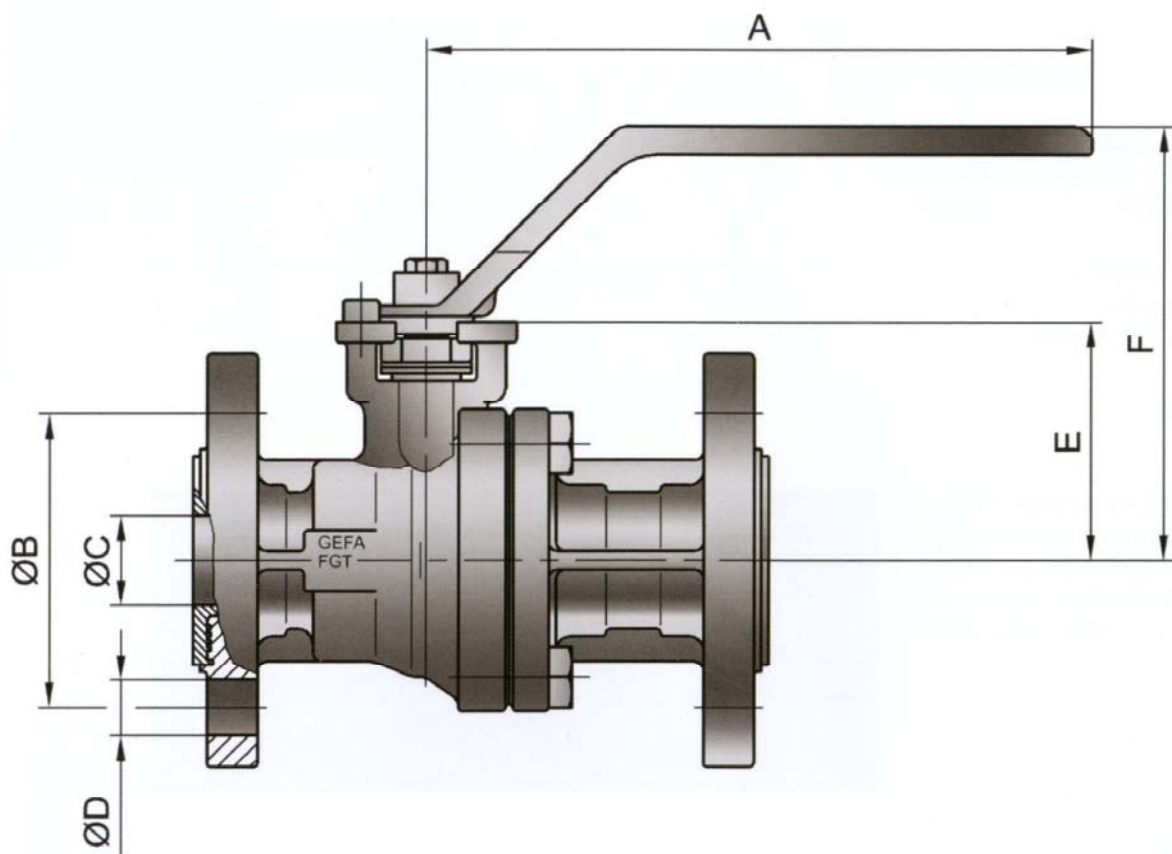


Parts list

Item	Description	Materials
1	Body	1.4408 / PFA
2	Body connector	1.4408 / PFA
3	Ball	1.4408 / PFA
4	Stem	1.4313 / PFA
5*	Seat	PTFE
6*	Packing	PTFE
7	Gland flange	1.4308
8	Gland	1.4301
9	Disc spring washer	1.4310
10	Hexagon screw	Stainless steel A2
11	Hexagon screw	Stainless steel A2
12	Hand lever	1.4308
13	Case	1.4305
14	Hexagon screw	Stainless steel A2

* = Wearing parts (repair kit)
Other materials available

Dimensions and weights



DN	NPS	A	ø B		ø C	ø D		E	F	ø G	H	L	Kg
			PN10-40	Class150		PN10-40	Class150						
15	1/2"	170	65	60,5	17	4 x 14	4 x 15,7	53	103	95	58	130	2,5
20	3/4"	170	75	69,9	20	4 x 14	4 x 15,7	56	105	105	65	150	3,3
25	1"	185	85	79,2	25	4 x 14	4 x 15,7	67	121	115	65	160	4,2
32	1 1/4"	185	100	88,9	32	4 x 18	4 x 15,7	72	126	140	75	180	5,7
40	1 1/2"	230	110	98,6	40	4 x 18	4 x 15,7	83	141	150	85	200	7,3
50	2"	230	125	120,7	50	4 x 18	4 x 19,1	91	148	165	100	230	10,0

Weight including hand lever

FGT - 76 76 - T

- Type • _____
- Body • _____
- 76 = Stainless steel 1.4408, PFA-lined
- Interior lining • _____
- 76 = Ball, stem PFA-coated
- 96 = Ball ceramic
- Seats • _____
- T = PTFE
- TK = PTFE / carbon

The breakaway torque relates to the valve in depressurized status. It can vary according to medium, temperature, pressure and frequency of cycles.

Flange connection		Breakaway torque in Nm <small>Based on water at ambient temperature; seats made of PTFE</small>	Flow coefficients (kvs)
DN	Flange DIN 3337	full bore	full bore
15	F04 / F05	12	20
20	F04 / F05	12	40
25	F04 / F05	18	75
32	F04 / F05	25	130
40	F05 / F07	35	170
50	F05 / F07	55	270

Our product range

- **Valves** • Butterfly valves • Ball valves • Knife gate valves • Pinch valves • Non return valves • Actuators • Diaphragm pumps • Bursting discs • Special valves
- **Filtration** • Fine filtration • Microfiltration • Manual filters • Separation and conveying technology
- **Measuring and control technology** • Flow measurements • Signal processing modules • Switching cabinet construction • Pressure transmitters • Temperature measurements



Germany

Germaniastraße 28
D-44379 Dortmund

P.O. Box 70 01 10
D-44371 Dortmund

Phone 0049-2 31-610 09-0
Fax 0049-2 31-610 09 80

www.gefa.com
gefa@gefa.com